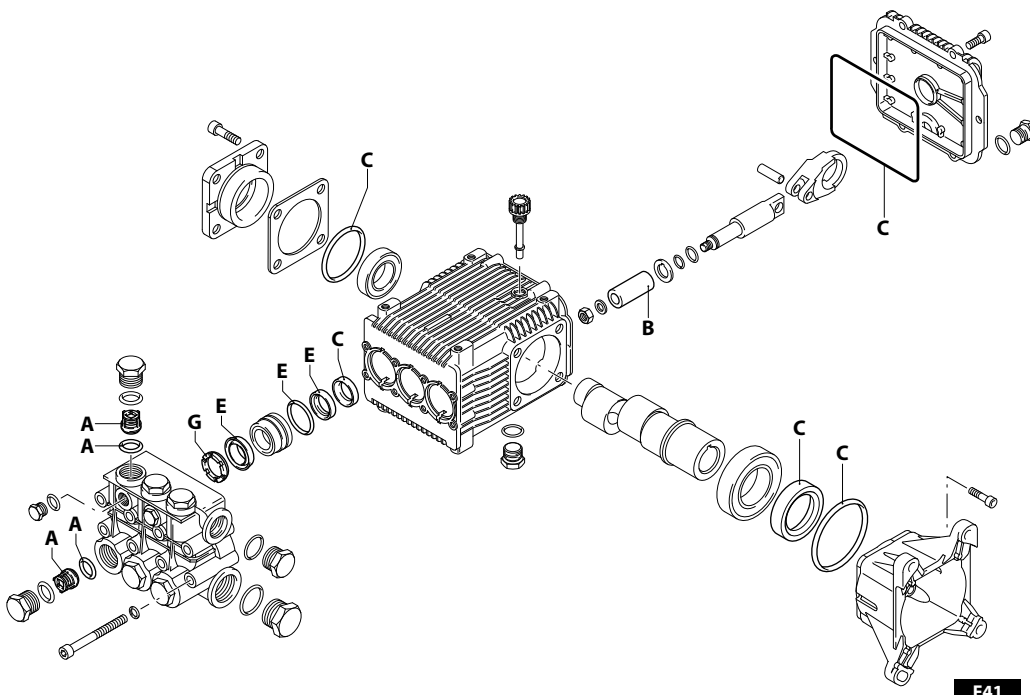


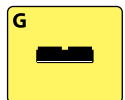
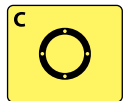
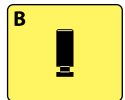
F41

UN003316-LW

PART KITS / 配套零件



F41



UN003317-LW

228 Series

RKV 3400 rpm D version + F41 ø 1"

3.5 G25 4 G32 3.5 G30 H 4 G35 H 3.5 G35 H 4 G40 H 3.5 G40 H 4.5 G40 H 4 G30 A 5.5 G40 H 4 G30



| Pos. 序号 | Cod. 编号 | Description | 描述 | Qt 数量 | Note 备注 | Pos. 序号 | Cod. 编号 | Description | 描述 | Qt 数量 | Note 备注 |
|---------|---------|----------------|-------------------|-------|-----------------|---------|---------|---------------|----------------|-------|----------------|
| 1 | 960160 | O-ring | Ø 17,86x2,62 | 6 | | 48 | 820361 | Plug | 1/2" G ottone | 1 | ○●■ |
| 2 | 960090 | Plug | | 6 | ○● | 49 | 960870 | Plug | 1/2" G nickel | 1 | □☆★◆× (C=40Nm) |
| | 960850 | Plug | | 6 | ☆■★◆× | | 2281460 | Head | | 1 | ○●■ |
| | 1380740 | Plug | | 6 | □ | | 2281590 | Head | nikelata | 1 | □☆★◆× |
| 3 | 889052 | Complete valve | | 6 | | 50 | 820150 | Screw | TCEI M8x70 | 8 | |
| 4 | 880830 | O-ring | Ø 15,54x2,62 | 6 | | | 2280140 | Shaft | marcato 9 | 1 | ○□☆ |
| 5 | 880581 | Plug | 1/4" G | 2 | ○●■ (C=15Nm) | 59 | 2280130 | Shaft | marcato 8 | 1 | ●■★ |
| | 1380690 | Plug | 1/4" G nickel | 2 | □☆★◆× (C=15Nm) | | 2280590 | Shaft | marcato 7 | 1 | ◆ |
| 6 | 820510 | O-ring | Ø 10,82x1,78 | 2 | C=24,5Nm | | 2280600 | Shaft | marcato 6 | 1 | × |
| 11 | 960110 | Ring | appoggio Ø18 | 3 | | 60 | 1383150 | Bearing | | 1 | |
| 12 | 1382740 | Water seal | Ø 18 | 3 | | 61 | 621170 | Oil seal | | 1 | (b) |
| 13 | 1380090 | Piston guide | Ø 18 | 3 | | 62 | 1380220 | O-ring | Ø 72,75x1,78 | 1 | |
| 14 | 961240 | O-ring | Ø 31,47x1,78 | 3 | | 70 | 2281510 | Flange | F41 | 1 | |
| 15 | 880330 | Water seal | Ø 18 | 3 | | 71 | 180030 | Screw | TCEI M8x20 | 4 | ● (C=24,5Nm) |
| 16 | 1383130 | Ring | tenuta | 3 | | 72 | 1381850 | Washer | | 8 | |
| 17 | 850370 | Screw | TCEI M8x16 | 4 | C=24,5Nm | 73 | 820440 | Screw | M6x6 | 1 | |
| 18 | 1380050 | Support | cuscinetto chiuso | 1 | | 75 | 1080401 | Ring | antiestrusione | 3 | |
| 19 | 640030 | O-ring | Ø 59,99x2,62 | 1 | | | 2289208 | Head assembly | | 1 | ○● |
| 20 | 2280340 | Bearing | | 1 | | | 2289223 | Head assembly | | 1 | □ |
| 21 | 1382770 | Pump body | | 1 | | | 2289209 | Head assembly | | 1 | ■ |
| 22 | 880130 | Plug | | 1 | | | 2289221 | Head assembly | | 1 | ☆★◆× |
| 23 | 962010 | Nut | | 3 | ● (C=20Nm) | 86 | 1260250 | Level gauge | | 1 | ⊕ |
| 24 | 962000 | Washer | | 3 | | 87 | 1260430 | Ring | | 1 | ⊕ |
| 25 | 1380940 | Piston | Ø 18 | 3 | | 88 | 1780690 | Plate | | 1 | ⊕ |
| 26 | 1380950 | Plate | | 3 | | 89 | 1140450 | O-ring | Ø 20,24x2,62 | 1 | ⊕ |
| 27 | 600180 | O-ring | Ø 7,66x1,78 | 3 | | | | | | | |
| 28 | 1380920 | Piston | di guida | 3 | | | | | | | |
| 29 | 1380060 | Pin | | 3 | | | | | | | |
| 30 | 1383050 | Connecting-rod | alluminio | 3 | ○● | | | | | | |
| | 1383020 | Connecting-rod | bronzo | 3 | □☆■★◆× | | | | | | |
| 34 | 1780510 | O-ring | Ø 106x3 | 1 | | | | | | | |
| 35 | 1789010 | Cover | completo | 1 | | | | | | | |
| 36 | 1343510 | Screw | TCEI M6x14 | 6 | C=10Nm | | | | | | |
| 40 | 1380120 | Shim 0.10 mm | | 1÷3 | | | | | | | |
| | 1380130 | Shim 0.20 mm | | 1÷3 | | | | | | | |
| | 1380530 | Shim 0.25 mm | | 1÷3 | | | | | | | |
| | 1382810 | Shim 0.05 mm | | 1÷3 | | | | | | | |
| 42 | 740290 | O-ring | Ø 14x1,78 | 3 | ⊕ | | | | | | |
| 43 | 1980740 | Plug | 3/8" G ottone | 2 | ⊕ (C=20Nm) | | | | | | |
| 46 | 1980740 | Plug | 3/8" G ottone | 1 | ○●■ (C=25Nm) | | | | | | |
| | 1981180 | Plug | 3/8" G nickel | 1 | □☆■★◆× (C=25Nm) | | | | | | |
| 47 | 180101 | O-ring | Ø 17,5x2 | 1 | | | | | | | |

⊕ Part of part n° 1789010 / 配件号是1789010

PART KITS - 配套零件

| A=KIT 1828 valves 单向阀 | | B=KIT 2757 pistons 柱塞 | | C=KIT 1856 oil seals 油封 | | E=KIT 1857 water seals 水封 | |
|-----------------------|---------|-----------------------|---------|-------------------------|---------|---------------------------|---------|
| Pos. 序号 | Q.ty 数量 | Pos. 序号 | Q.ty 数量 | Pos. 序号 | Q.ty 数量 | Pos. 序号 | Q.ty 数量 |
| 3 | 6 | 25 | 3 | 16 | 3 | 12 | 3 |
| 4 | 6 | | | 19 | 1 | 14 | 3 |
| | | | | 34 | 1 | 15 | 3 |
| | | | | 61 | 1 | | |
| | | | | 62 | 1 | | |

| G=KIT 1829 support rings 支撑环 | | | | | | | |
|------------------------------|---------|---------|---------|---------|---------|---------|---------|
| Pos. 序号 | Q.ty 数量 | Pos. 序号 | Q.ty 数量 | Pos. 序号 | Q.ty 数量 | Pos. 序号 | Q.ty 数量 |
| 11 | 3 | | | | | | |

SIMBOLOGIA - 标记

| | | | |
|--------------------------|----------------------------------|--|----------------------------------|
| ○ For / 用于 RKV 3.5 G25 | ■ For / 用于 RKV 4 G32 | ◆ For / 用于 RKV 4.5 G40 H | × For / 用于 RKV 5.5 G40 H |
| □ For / 用于 RKV 3.5 G30 H | ● For / 用于 RKV 4 G30 A RKV 4 G30 | ☆ For / 用于 RKV 3.5 G35 H RKV 3.5 G40 H | ★ For / 用于 RKV 4 G35 H RKV 4 G40 |

C Tightening torque tolerance 0÷10% | 拧紧力矩公差 0÷10%
 ⊕ Screw with Loxeal 55-14 | 用 Loxeal 55-14 螺丝
 (b) Fit the seal with tool code nr. 1781000 / 用 nr. 1781000 工具进行密封

SPECIAL PARTS / 特殊配件

| Cod. 编号 | Description - 描述 | Q.ty 数量 |
|---------|----------------------------|---------|
| 2809 | Water seals ø 18 / 水封 ø 18 | 1 |

| Oil - 机油 | | Additive - 添加剂 | |
|-----------|---------------|----------------|---------------|
| Type / 类型 | Quantity / 数量 | Type / 类型 | Quantity / 数量 |
| SAE 15W40 | 0,435 Kg | ROCOL ASO/R | 0,023 Lt |